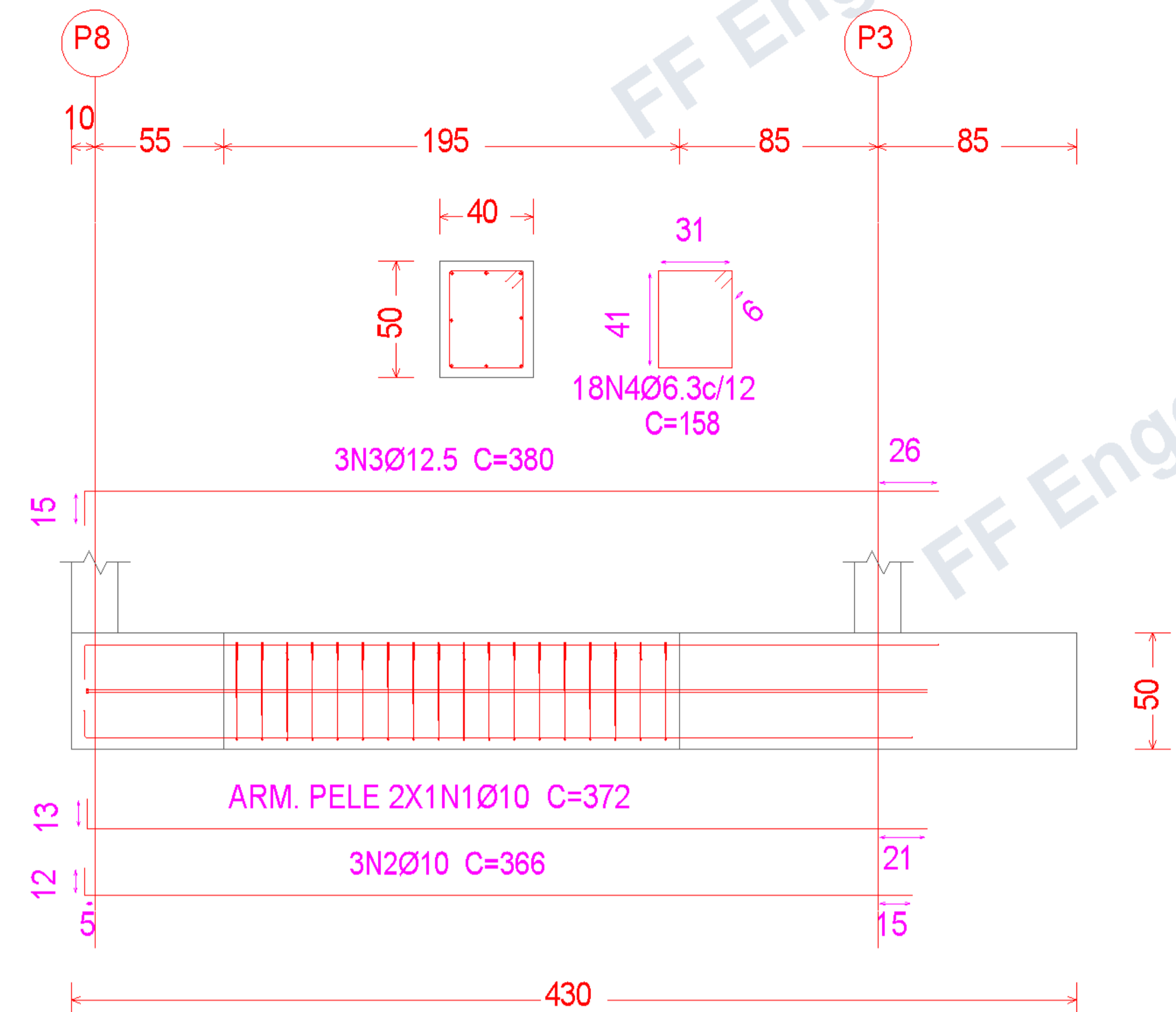
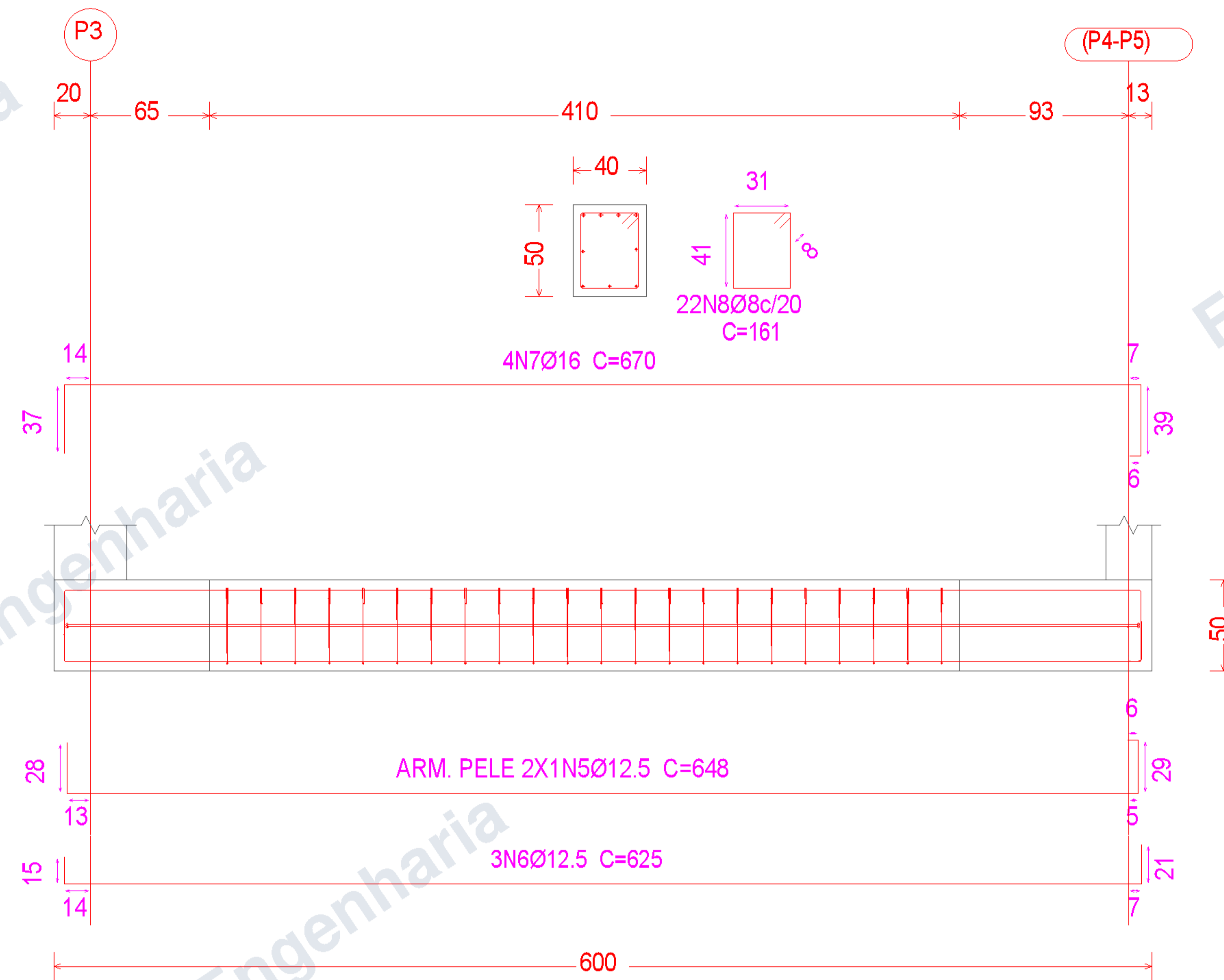


C40x50 12.5m [P8 - P3]

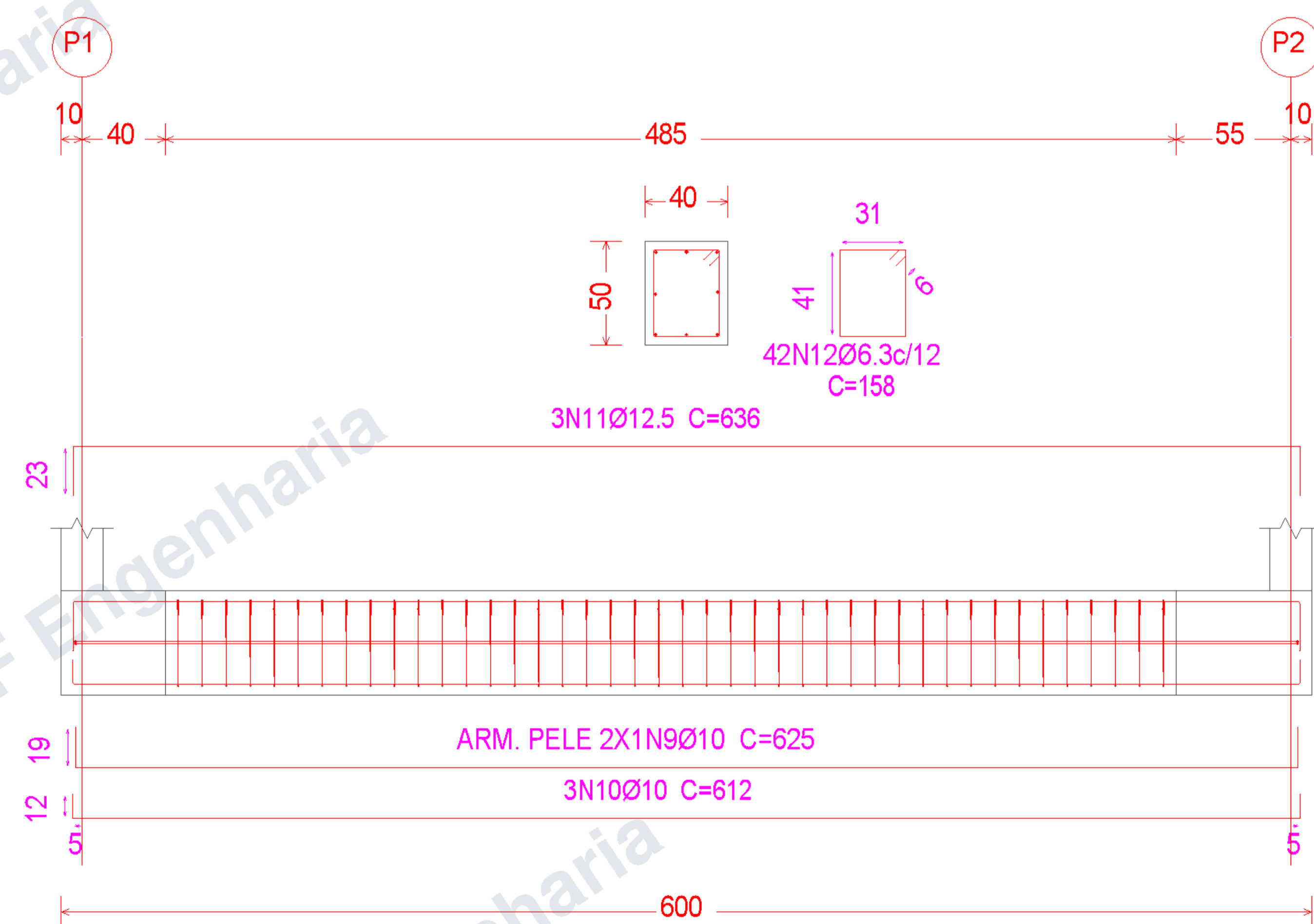


Resumo Aço Fundação		Comp. total (m)	Peso+10% (kg)	Total
Detalhamento fundação				
CA-50	Ø6.3	215.7	58	
	Ø8	35.4	15	
	Ø10	200.9	136	
	Ø12.5	207.2	220	
	Ø16	26.8	47	476

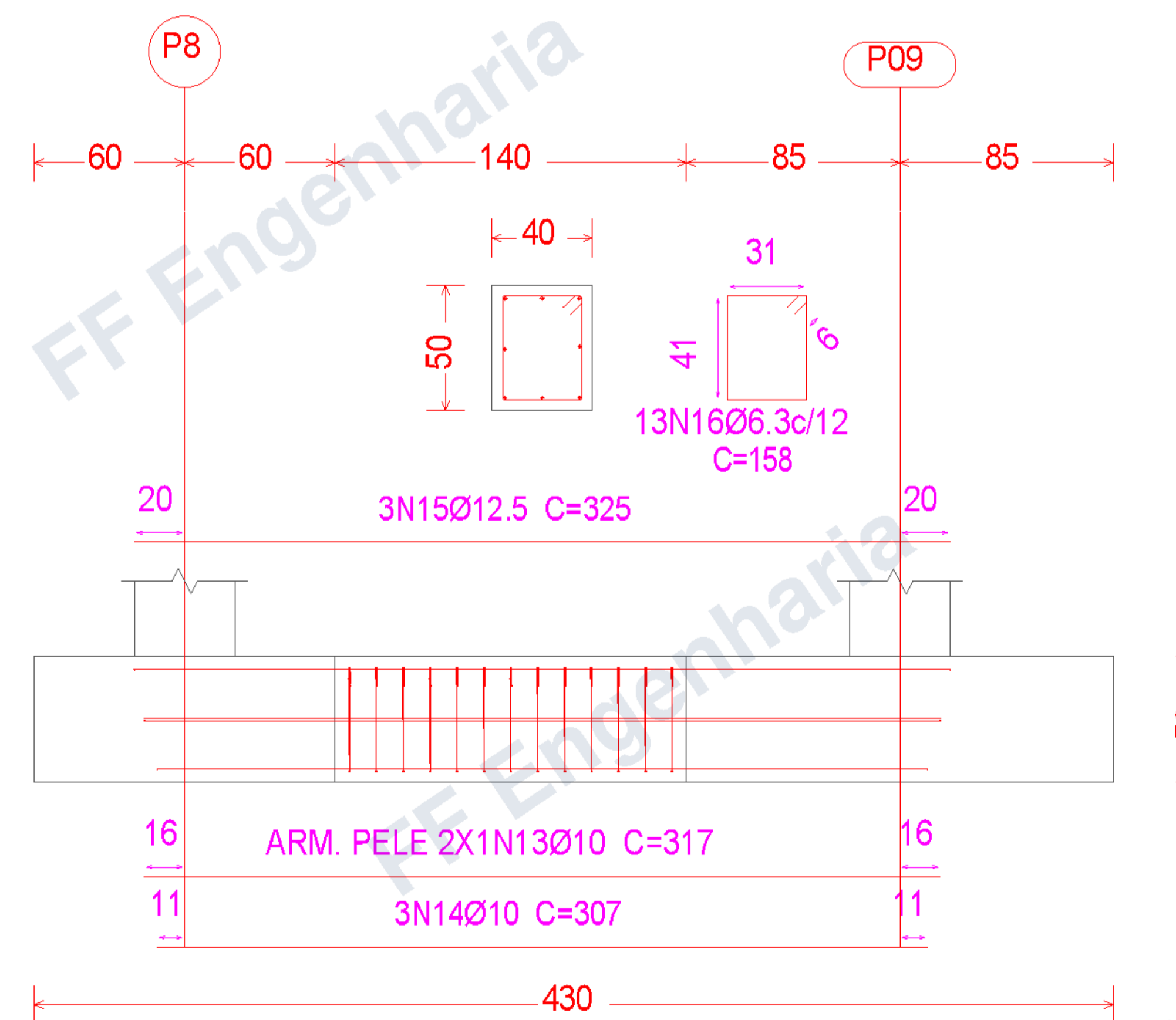
VC.T-1.1 [P3 - (P4-P5)]



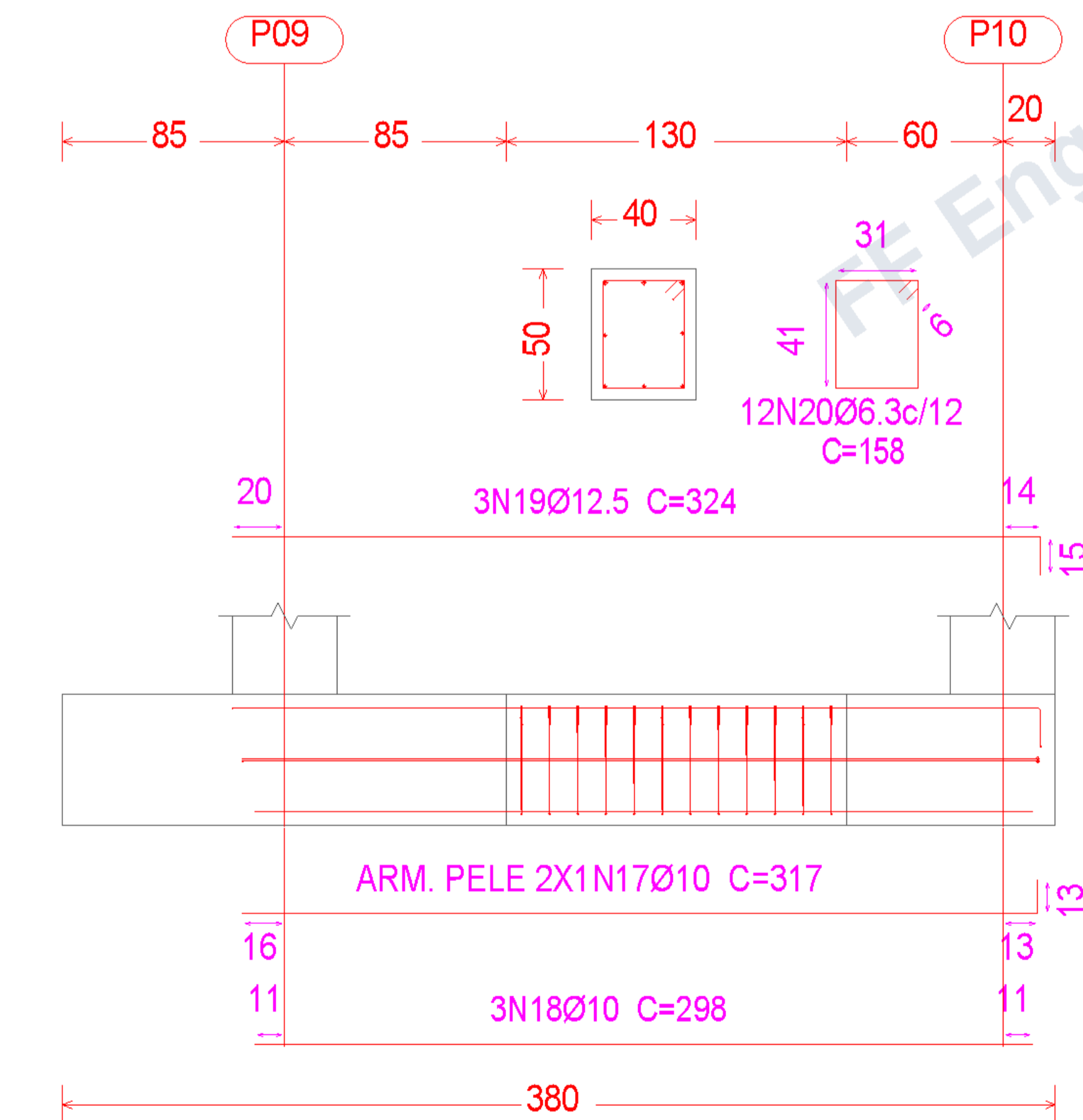
C40x50 12.5m [P1 - P2]



C40x50 12.5m [P8 - P09]



C40x50 12.5m [P09 - P10]



Elemento	Pos.	Diam.	Q.	Dob. (cm)	Reta (cm)	Dob. (cm)	Comp. (cm)	Total (cm)	CA-50 (kg)	
C40x50 12.5m [P8 - P3]	1	Ø10	2		372		372	744	4.6	
	2	Ø10	3	12	354		366	1098	6.8	
	3	Ø12.5	3	15	365		380	1140	11.0	
	4	Ø6.3	18		158		158	2844	7.0	
Total+10%:									32.3	
VC.T-1.1 [P3 - (P4-P5)]	5	Ø12.5	2		648		648	1296	12.5	
	6	Ø12.5	3	15	589	21	625	1875	18.1	
	7	Ø16	4	37	627	6	670	2680	42.3	
	8	Ø8	22		161		161	3542	14.0	
Total+10%:									95.6	
C40x50 12.5m [P1 - P2]	9	Ø10	2		625		625	1250	7.7	
	10	Ø10	3	12	588	12	612	1836	11.3	
	11	Ø12.5	3	23	590	23	636	1908	18.4	
	12	Ø6.3	42		158		158	6636	16.3	
Total+10%:									59.1	
C40x50 12.5m [P8 - P09]	13	Ø10	2		317		317	634	3.9	
	14	Ø10	3		307		307	921	5.7	
	15	Ø12.5	3		325		325	975	9.4	
	16	Ø6.3	13		158		158	2054	5.0	
Total+10%:									26.4	
C40x50 12.5m [P09 - P10]	17	Ø10	2		317		317	634	3.9	
	18	Ø10	3		298		298	894	5.5	
	19	Ø12.5	3		309	15	324	972	9.4	
	20	Ø6.3	12		158		158	1896	4.6	
Total+10%:									25.7	
									Ø6.3:	36.2
									Ø8:	15.4
									Ø10:	54.3
									Ø12.5:	86.7
									Ø16:	46.5
									Total:	239.1